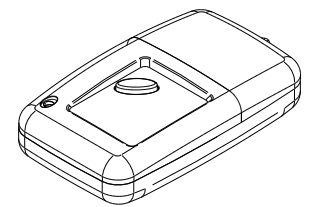
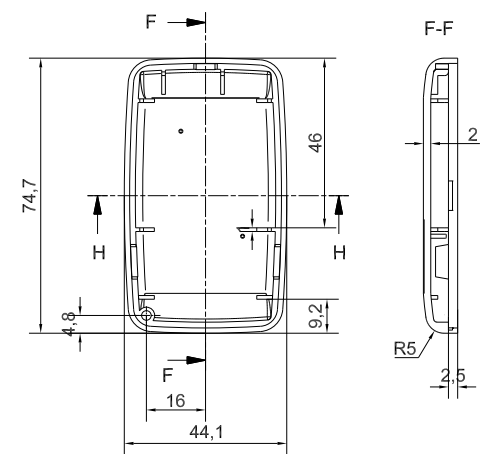
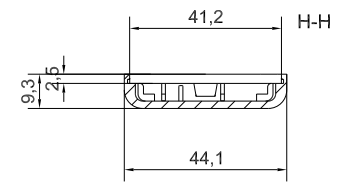
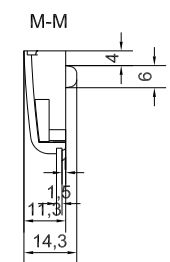
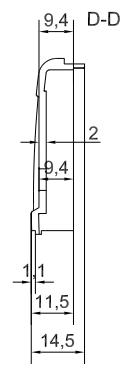
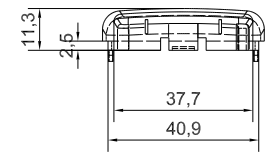
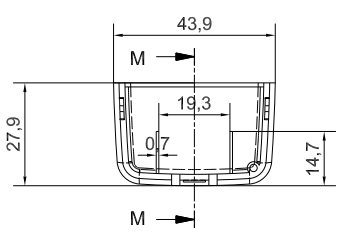
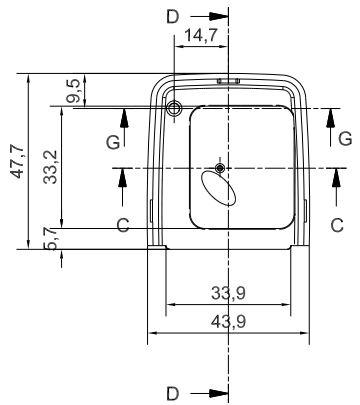
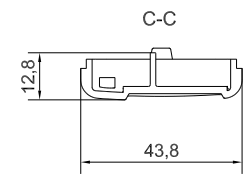
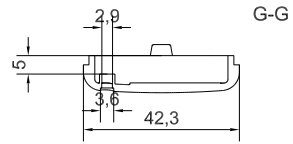
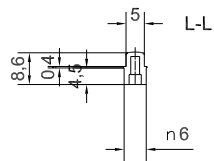
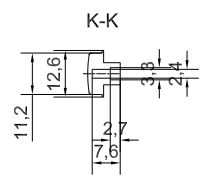
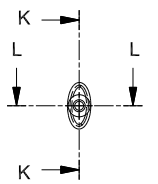
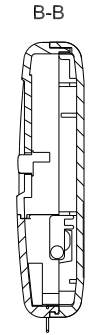
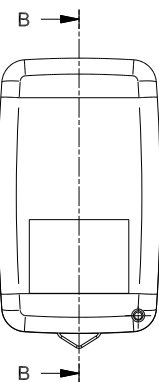
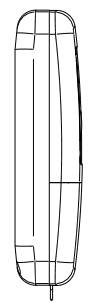
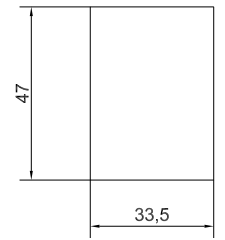
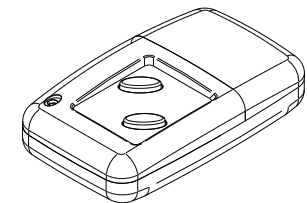
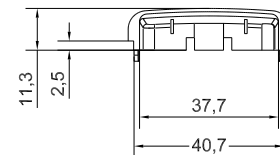
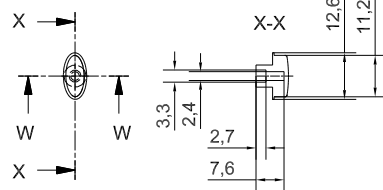
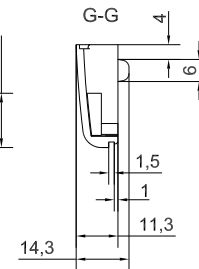
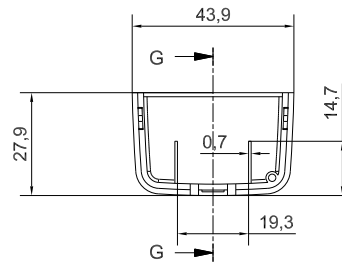
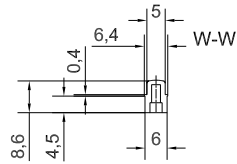
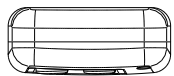
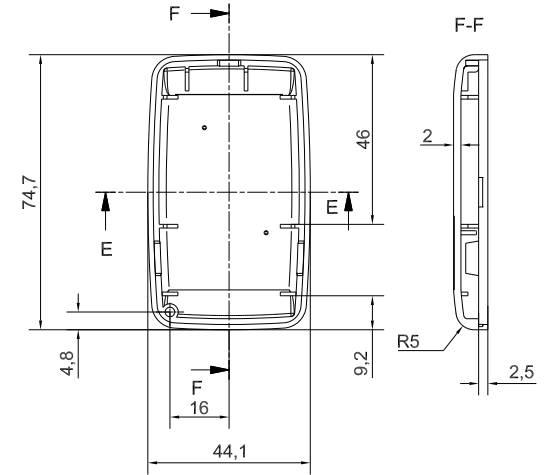
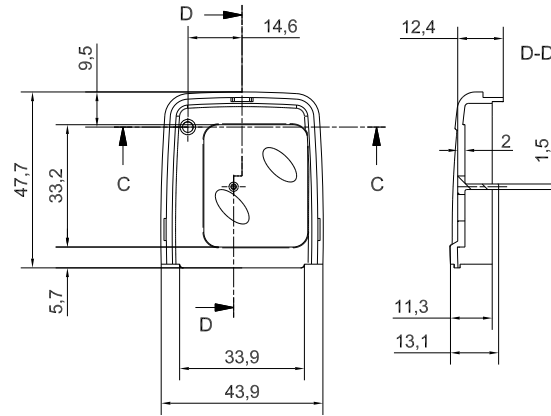
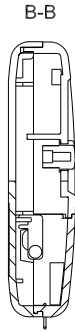
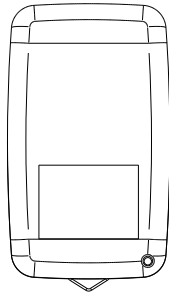
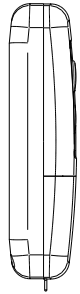
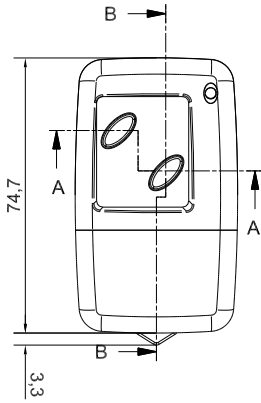
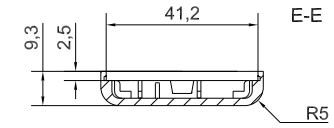
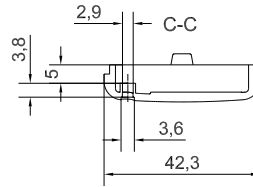
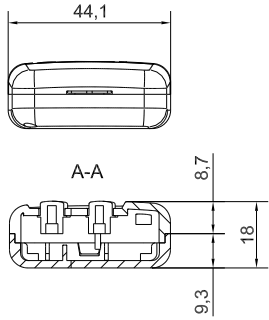


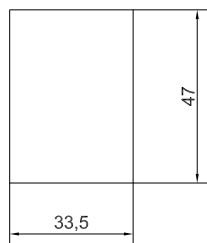
PCB MAX SIZE


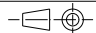


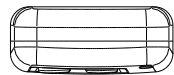
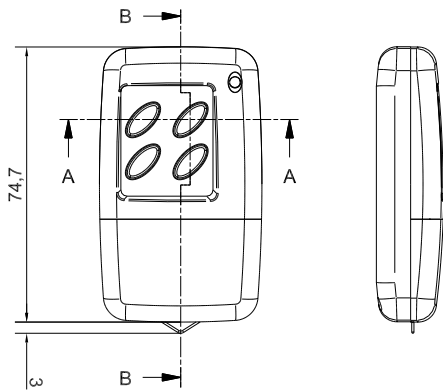
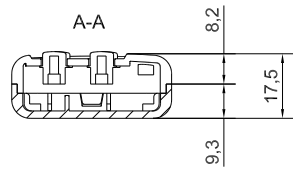
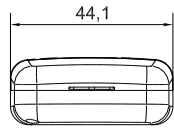
	Denomination	11121	
	Assembly 11121 Subject to technical modification without prior notice. Tipographical and other errors do not justify any claim for damages. All dimensions should be verified using an actual moulded part.	Part. Number	11121
	Rev. Index	Date	Scale
		22/11/2005	1:1 Format design A2



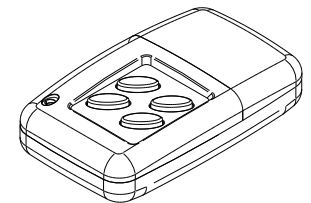
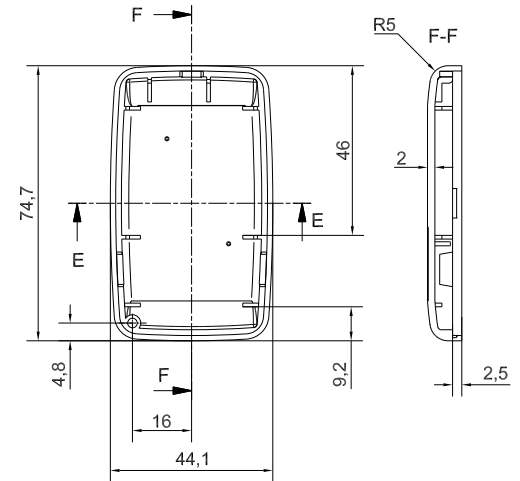
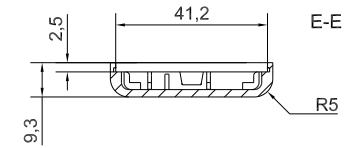
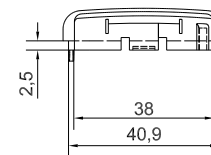
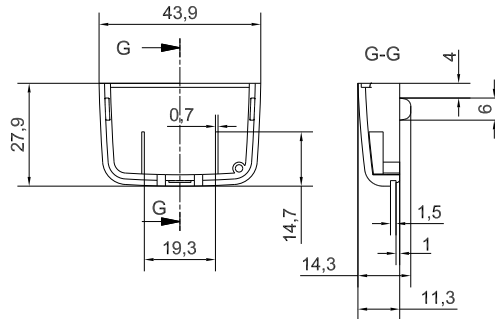
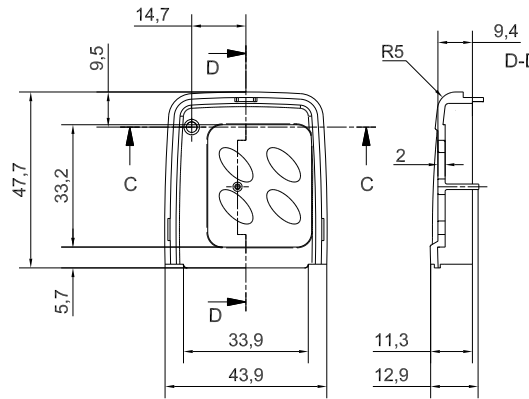
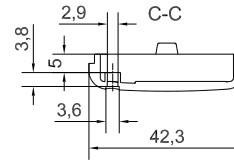
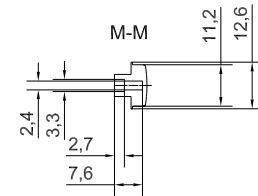
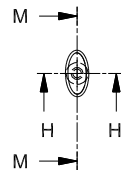
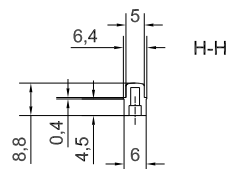
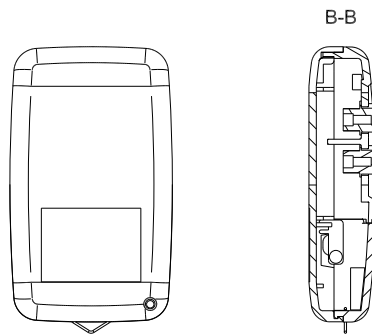
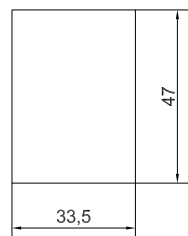
PCB MAX SIZE



	Denomination	11122	
	Assembly 11122 Subject to technical modification without prior notice. Tipographical and other errors do not justify any claim for damages. All dimensions should be verified using an actual moulded part.		Part. Number
	Rev. Index	Date	Scale
	1	22/11/2005	1:1 Format design A2



PCB MAX SIZE



	Denomination	11124	
	Assembly 11124		Part. Number
<p>This document contains proprietary information of TEKO S.p.a. and is tendered subject to the conditions that the information be retained in confidence not be reproduced or copied and not be used or incorporated in any product.</p>	Subject to technical modification without prior notice. Tipographical and other errors do not justify any claim for damages. All dimensions should be verified using an actual moulded part.		11124
	Rev. Index	Scale	1:1
	Date	Format design	A2
	22/11/2005		