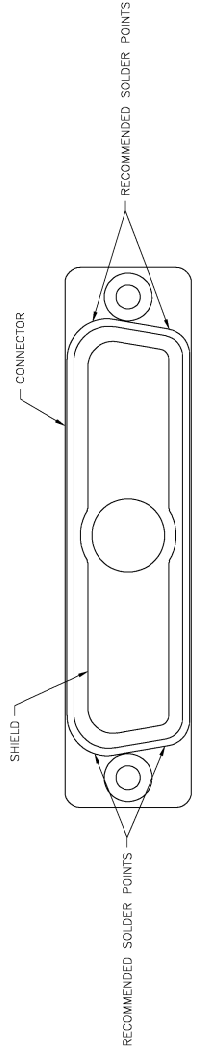
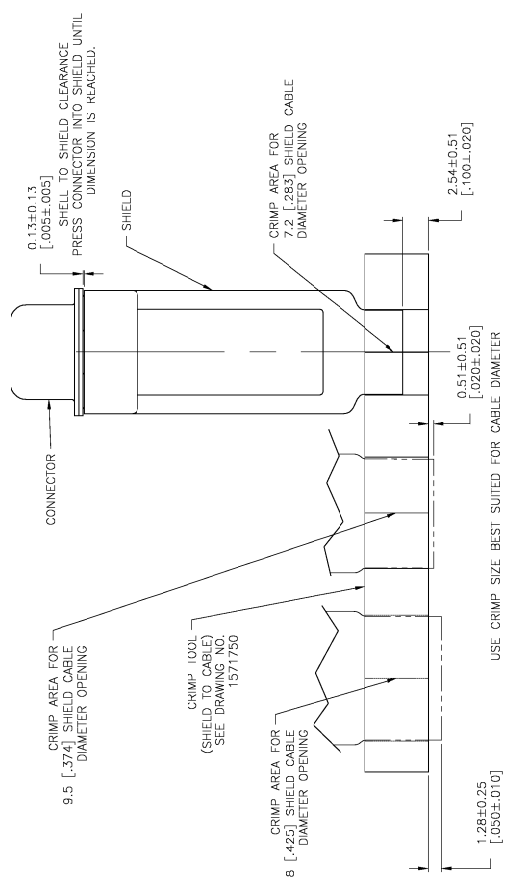


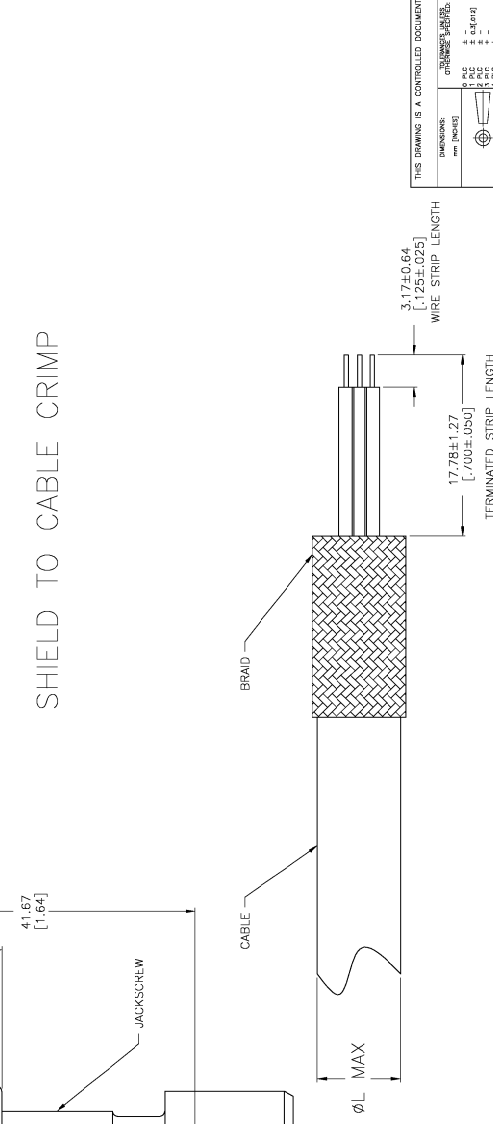
REVISED BY: [REDACTED]			DATE: 08-20-03		REVISED BY: [REDACTED]		DATE: 08-20-03				
APPROVED BY: [REDACTED]				DESIGNER: [REDACTED]				DATE: 08-20-03			
TITLE: EXPLODED VIEW OF ASSEMBLED KIT				PART NO: 1571652-3				REV: 1			



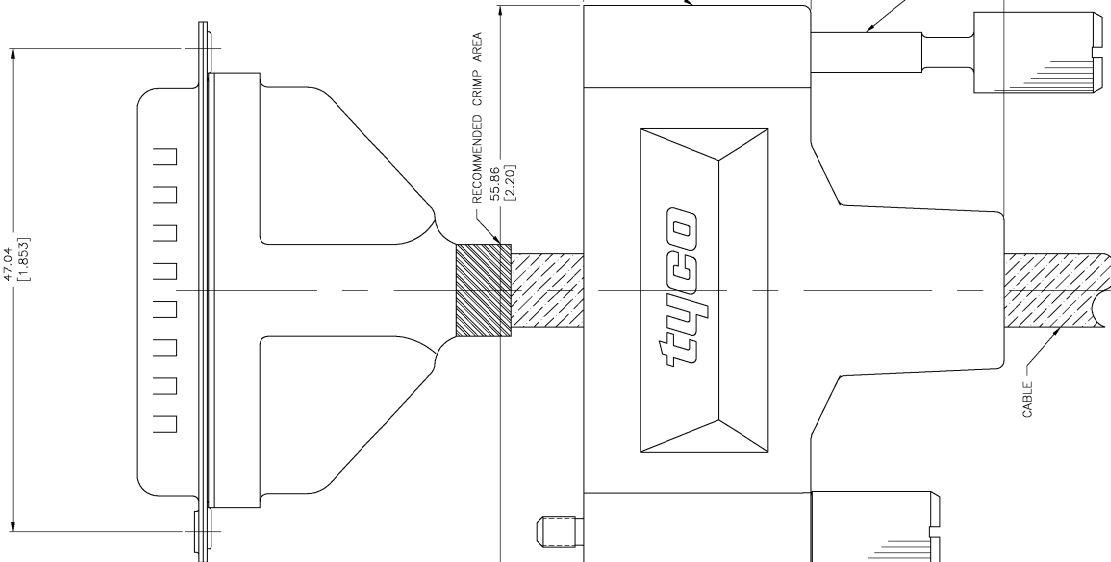
**SOLDER LOCATION (OPTIONAL)**



**SHIELD TO CABLE CRIMP**



**CABLE PREPARATION**



**EXPLODED VIEW OF ASSEMBLED KIT**

- ASSEMBLY INSTRUCTIONS**
- USE SHIELD ENCLOSURE EXPANSION TOOL, 58241-1 TO GET ENCLOSURE ON CABLE.
  - PREPARE CABLE AS SHOWN.
  - PLACE CABLE THROUGH SHIELD.
  - SOLDER CONDUCTORS TO CONTACTS.
  - PRESS SHIELD ONTO CONNECTOR AS SHOWN.
  - SOLDER SHIELD TO CONNECTOR AS SHOWN (OPTIONAL).
  - PUSH ENCLOSURES OVER SHELL.
  - INSERT JACKSCREWS AS SHOWN.
- SPECIFICATION**  
 CLIMATE TESTS: 28°C/86°F MINIMUM, 125°C/257°F MAXIMUM  
 CURRENT RATINGS: 3 AMPERES  
 DIELECTRIC WITHSTANDING VOLTAGE: AC 1000V, r.m.s.  
 INSULATION RESISTANCE: 5000 MEGOHMS MINIMUM AT DC 500V  
 CONTACT RESISTANCE: 10 MILLIOHMS MAXIMUM  
 CONTACT FINISH: GOLD PLATING, 0.025μm (1.000000E-06) MIN. ON CONTACT AREA, 0.0033μm (0.0000013) MIN. TIN-LEAD PLATING ON SOLDER AREA, SHELDS: 0.024μm (0.00000095) MIN. TIN, SHELDS: 0.20-0.30μm (0.000000-0.000120) TIN

10.8 [4.25]	1571652-3
9.5 [3.74]	1571652-2
7.2 [2.83]	1571652-1
CABLE DIA	PART NUMBER
L	L

THIS DRAWING IS A CONTROLLED DOCUMENT.	
REVISIONS	DATE
1	08/20/03
APPROVED BY: [REDACTED]	
DESIGNED BY: [REDACTED]	
CHECKED BY: [REDACTED]	
DRAWN BY: [REDACTED]	
SCALE: 1:1	
SHEET 1 OF 1	
CUSTOMER DRAWING	