



REC



REC Series

PREMIUM CYCLIC BATTERIES

REC

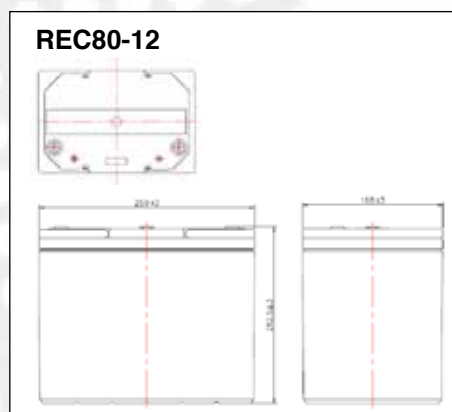
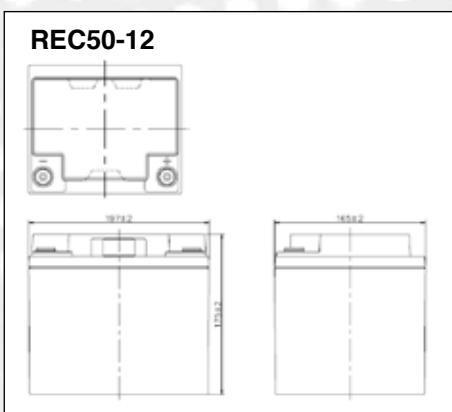
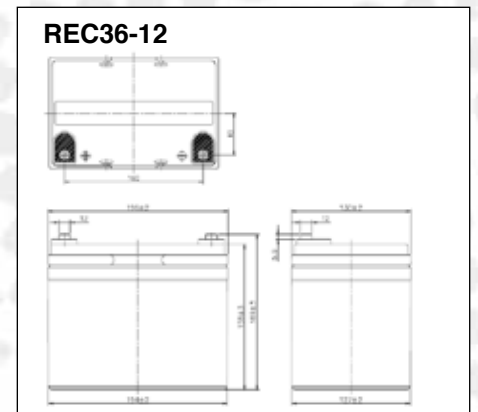
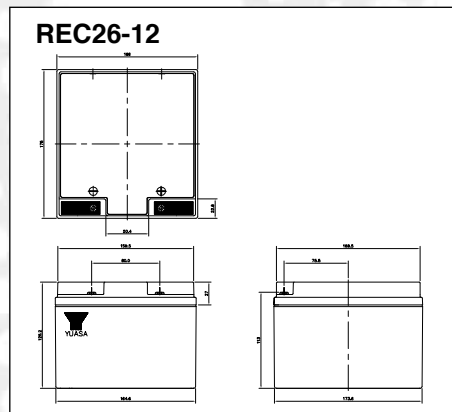
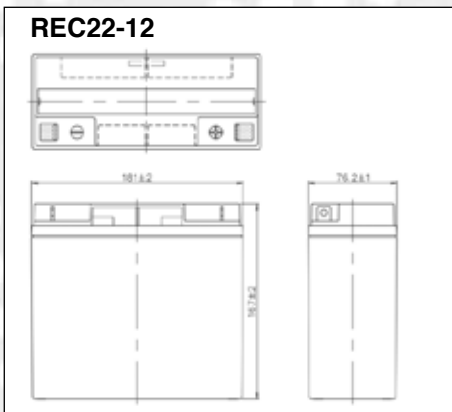
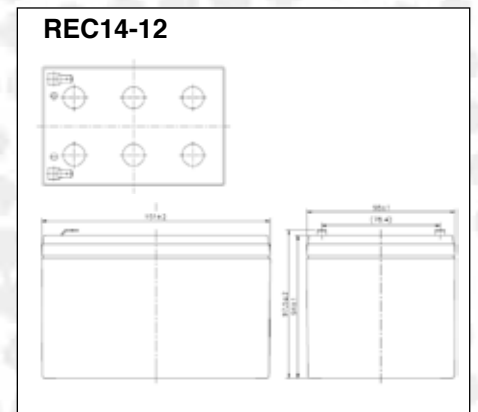
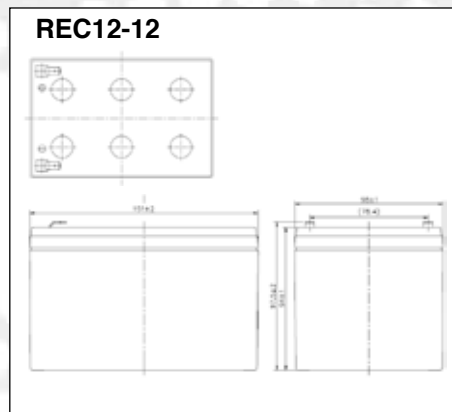
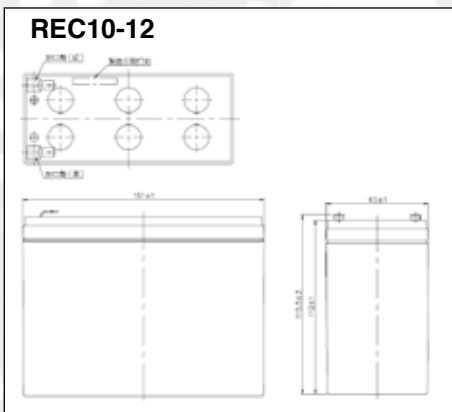
REC PREMIUM CYCLIC

The REC range of batteries for cyclic applications, including Golf and Mobility. The low maintenance and valve regulated construction combine with heavy duty plates and innovative separator systems to make the REC range a premium high reliability cyclic battery.

FEATURES

- Double the cyclic life of conventional VRLA batteries.
- Electrolyte suspension AGM technology ensures no free electrolyte.
- Lead calcium grids for extended life.
- Multipurpose: float or cyclic use.
- Long shelf life.

Layouts



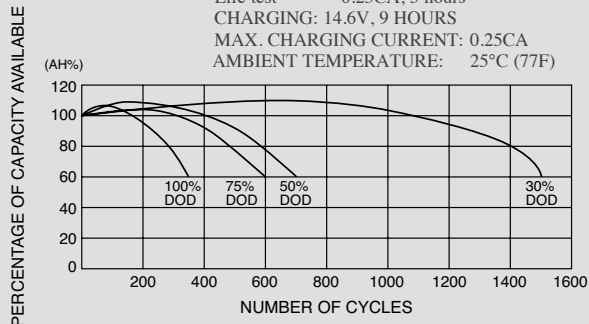
General Specifications

Specifications	REC10-12	REC12-12	REC14-12	REC22-12B	REC26-12	REC36-12	REC50-12	REC80-12
Nominal voltage (V)	12	12	12	12	12	12	12	12
20-hr rate Capacity to 1.75VPC at 20°C (Ah)	10.00	12.00	13.00	22.00	26.00	36.00	50.00	80.00
10-hr rate Capacity to 1.75VPC at 20°C (Ah)	9.30	11.60	11.90	19.70	23.50	32.00	40.00	74.00
Dimensions:								
Length (mm)	151 (±1)	151 (±1)	151 (±1)	181 (±2)	166 (±1)	196 (±2)	197 (±2)	259 (±3)
Width (mm)	65 (±1)	98 (±1)	98 (±1)	76.2 (±1)	175 (±1)	130 (±2)	165 (±2)	168 (±3)
Height Overall (mm)	115.5 (±2)	97.5 (±2)	97.5 (±2)	167 (±2)	125 (±2)	169 (±3)	175 (±2)	212.5 (±3)
Mass (typical) (Kg)	3.20	4.20	4.20	6.20	9.00	11.20	15.30	27.00
Battery Terminal Type								
Female threaded terminal	N/A	N/A	N/A	N/A	M5	M5	M5	M6
Faston (mm)	6.35	6.35	6.35	N/A	N/A	N/A	N/A	N/A
Bolt terminal	N/A	N/A	N/A	M5	N/A	N/A	N/A	N/A
Torque (Nm)	N/A	N/A	N/A	2.0-3.0	2.0-3.0	2.0-3.0	2.0-3.0	3.9-5.4
Operating Temperature Range								
Storage	-15°C to +50°C	-15°C to +50°C	-15°C to +50°C	-15°C to +50°C	-15°C to +50°C	-15°C to +50°C	-15°C to +50°C	-15°C to +50°C
Charge	0°C to +40°C	0°C to +40°C	0°C to +40°C	0°C to +40°C	0°C to +40°C	0°C to +40°C	0°C to +40°C	0°C to +40°C
Discharge	-15°C to +40°C	-15°C to +40°C	-15°C to +40°C	-15°C to +40°C	-15°C to +40°C	-15°C to +40°C	-15°C to +40°C	-15°C to +40°C
Storage								
Capacity loss per month at 20°C (approx)	3%	3%	3%	3%	3%	3%	3%	3%
Case Material								
Standard	ABS (UL94:HB)	ABS (UL94:HB)	ABS (UL94:HB)	ABS (UL94:HB)	ABS (UL94:HB)	ABS (UL94:HB)	ABS (UL94:HB)	ABS (UL94:HB)
Charge Voltage								
Float charge voltage at 20°C (V)	13.65 (±1%)	13.65 (±1%)	13.65 (±1%)	13.65 (±1%)	13.65 (±1%)	13.65 (±1%)	13.65 (±1%)	13.65 (±1%)
	2.275 (±1%)	2.275 (±1%)	2.275 (±1%)	2.275 (±1%)	2.275 (±1%)	2.275 (±1%)	2.275 (±1%)	2.275 (±1%)
Float Charge voltage temperature correction factor for variations from the standard 20°C. (mV/cell/°C)	-3	-3	-3	-3	-3	-3	-3	-3
Cyclic (or Boost) charge at 20°C (V)	14.52 (±3%)	14.52 (±3%)	14.52 (±3%)	14.52 (±3%)	14.52 (±3%)	14.52 (±3%)	14.52 (±3%)	14.52 (±3%)
	2.42 (±3%)	2.42 (±3%)	2.42 (±3%)	2.42 (±3%)	2.42 (±3%)	2.42 (±3%)	2.42 (±3%)	2.42 (±3%)
Cyclic Charge voltage temperature correction factor for variations from the standard 20°C (mV/cell/°C)	-4	-4	-4	-4	-4	-4	-4	-4
Charge Current								
Float charge current limit (A)	2.50	3.00	3.25	5.50	6.50	9.00	12.50	20.00
Cyclic (or Boost) charge current limit (A)	2.50	3.00	3.25	5.50	6.50	9.00	12.50	20.00
Maximum Discharge Current								
5 seconds	150	180	195	330	330	360	400	480
1 minute	70	70	70	140	140	140	185	310
Impedance								
Measured at 1 kHz (mΩ)	17.6	11.8	10.1	8.2	8.8	8.7	5.7	4.7

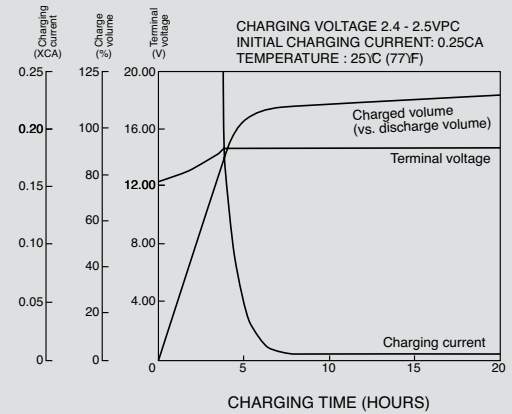
CYCLE SERVICE LIFE IN RELATION TO DEPTH OF DISCHARGE

TESTING CONDITIONS

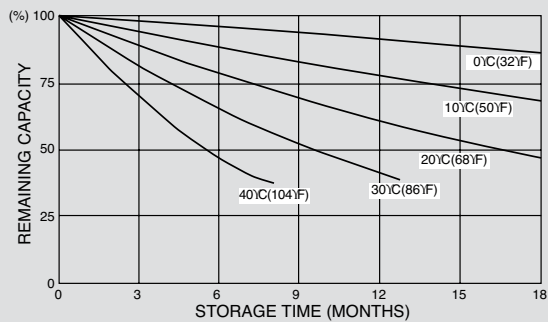
Capacity test 0.17CA (FV 10.2V)
 Life test 0.25CA, 3 hours
 CHARGING: 14.6V, 9 HOURS
 MAX. CHARGING CURRENT: 0.25CA
 AMBIENT TEMPERATURE: 25°C (77°F)



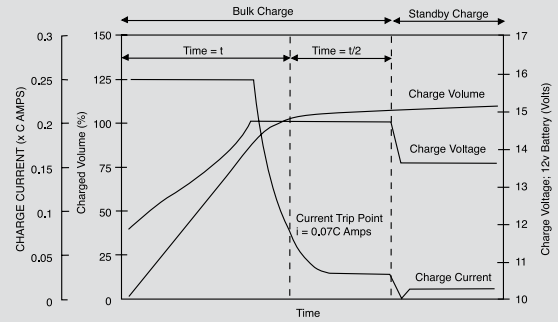
CONSTANT CURRENT, CONSTANT VOLTAGE CHARGING CHARACTERISTICS



SELF DISCHARGE CHARACTERISTICS



CYCLIC RECHARGE REGIME



Charging Methods (At 20°C)

Standby use: Float charging voltage 2.275vpc

CAUTION

- Avoid short circuit.
- Do not charge in a sealed container.
- Service life and operational characteristics will be affected by temperature.
- AC Ripple reduces service life.

WARNING!

REC battery type must never be installed permanently suspended by their handles; they are not designed for this purpose.



Yuasa Battery Sales (UK) Ltd

Unit 13, Hunts Rise, South Marston Park,
 Swindon SN3 4TG

Tel: 01793 833555 Fax: 01793 833579

Email: enquiries@yuasaeurope.com

Registered number 1548820

Cat. No. LIT039 October 2014

E&O.E.

Distributed by