

# Plastic enclosure

222 x 146 x 55 mm light grey PC IP 65



Integral guides and standoffs for vertical and horizontal PCB mounting

---

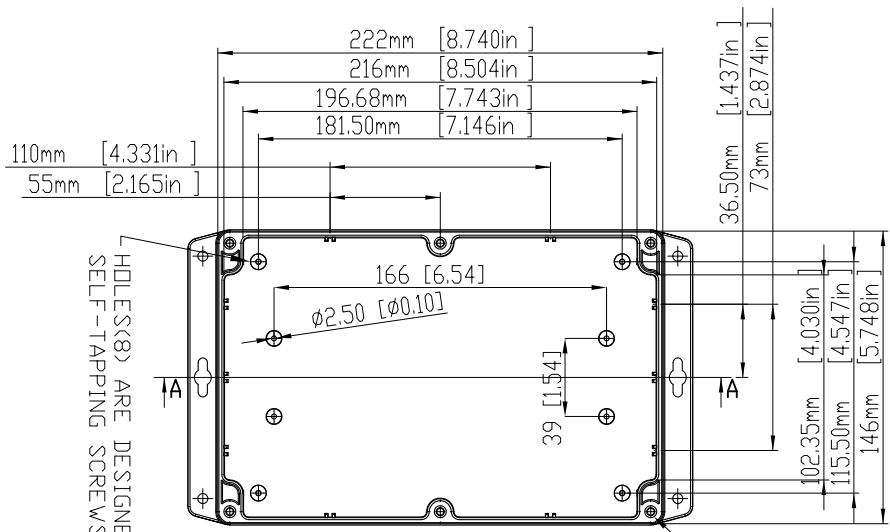
## SPECIFICATION:

Dimensions L x W x H	222 x 146 x 55 mm
Colour	light grey
Material	PC
Protection rating	IP 65
Fire class	UL 94 HB
Mounting	Flange
Temperature range	-40...+120 °C
Front panel	Transparent

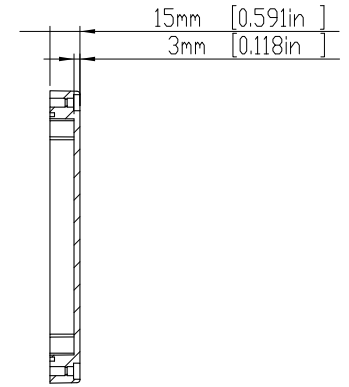
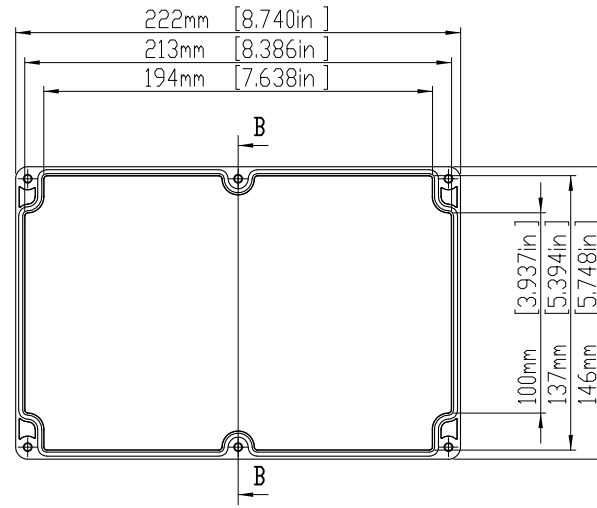


## Art. Nr.

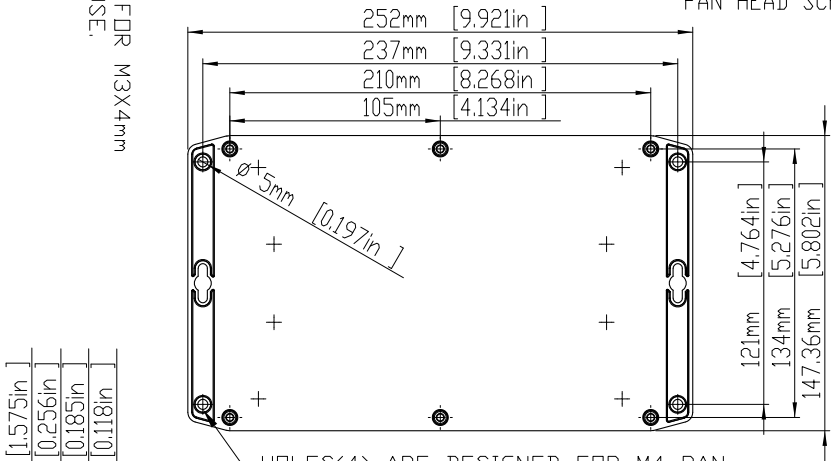
**RND 455-00244**



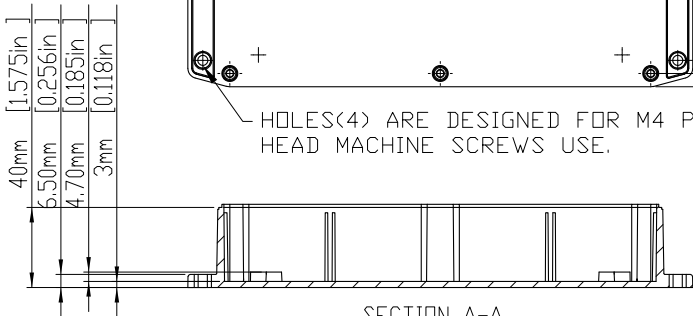
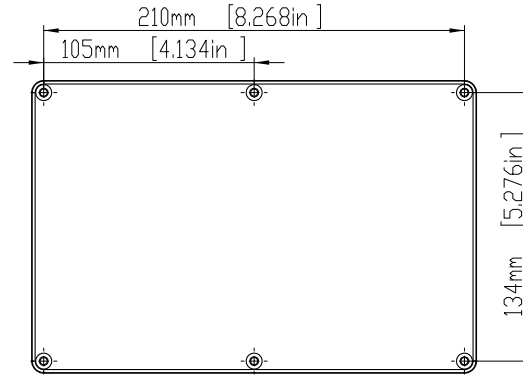
SIX(6) M4X20mm PAN HEAD SCREWS.



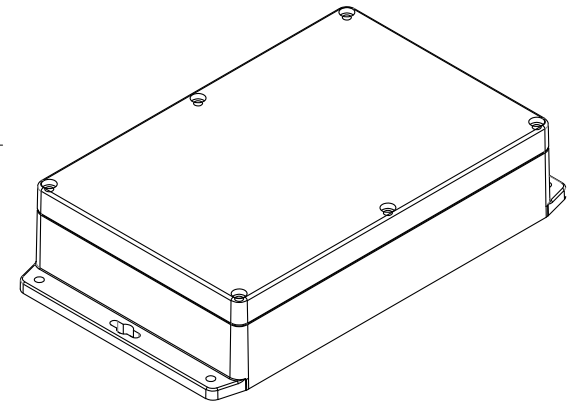
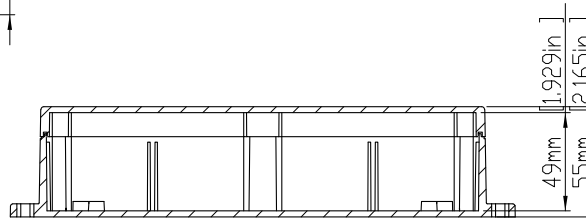
SECTION B-B  
 SCALE 2 : 5



HOLE(S) ARE DESIGNED FOR M4 PAN HEAD MACHINE SCREWS USE.



SECTION A-A  
 SCALE 2 : 5



TOLERANCES: +/- 0.30 mm (+/- 0.012in)