

# Metal enclosure

aluminium 56 x 41 x 31 mm Aluminium IP 65



---

Ingress protection from moisture and dust

---

Ideal for industrial and automated engineering

---

Inner part of the housing base is provided with formations for horizontal fastening of the printed board, connections for earthing, terminals and other

---

Guiding grooves for vertical installing of the printed boards are provided inside the enclosure

---

Holes for lid fastening screws are provided with internal thread

---

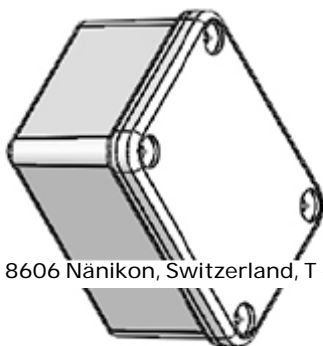
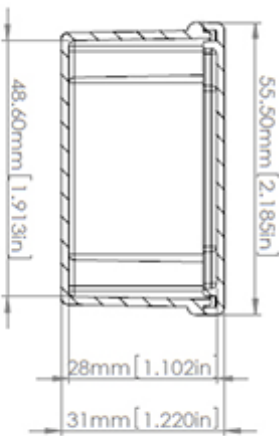
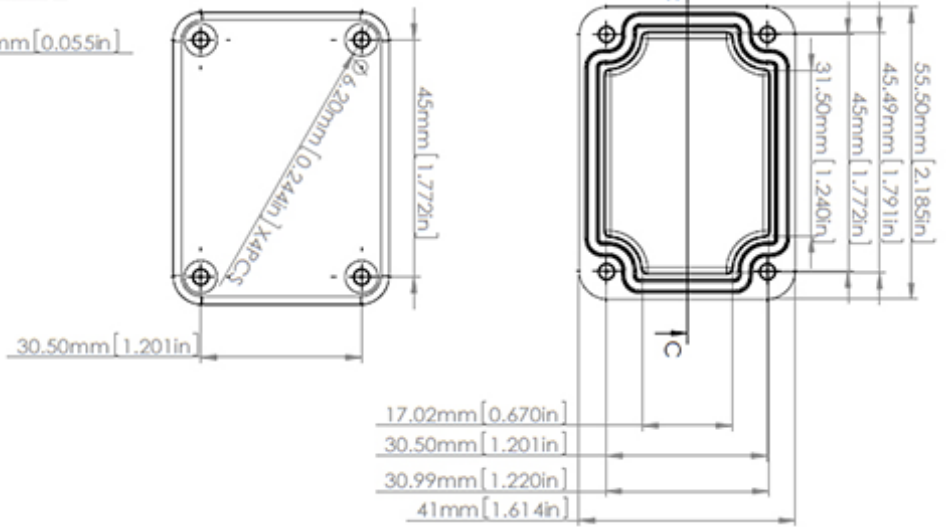
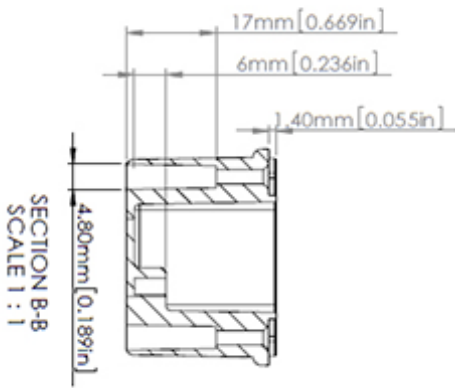
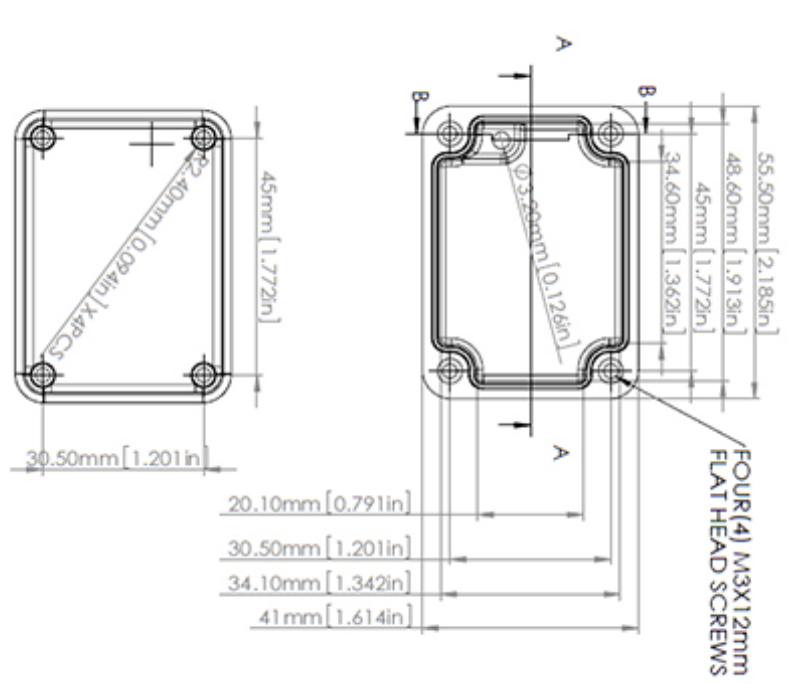
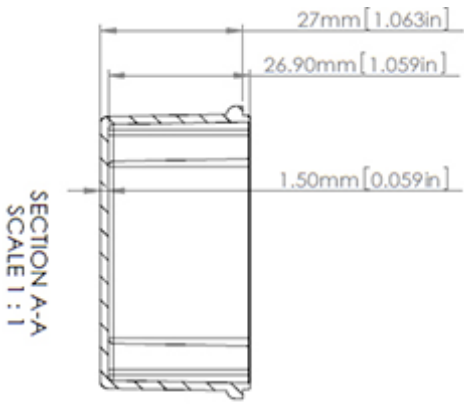
## SPECIFICATION:

Colour	aluminium
Material	Aluminium
Dimensions L x W x H	56 x 41 x 31 mm
Protection rating	IP 65
Mounting	Screws



**Art. Nr.**

**RND 455-00384**



**TOLERANCES: +/- 0.30 mm (+/- 0.12in)**