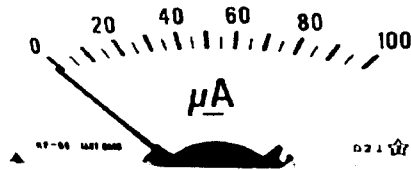


# KF Series

- Shock and vibration taut band susoension movement.
- Class 2.0 accuracy , Linearity within  $\pm 1.5\%$ .
- Easy scale replacement, No need to fix scale with screws. Just lock it in place.
- Elimination of all fixing screws within the housing case makes the meters vibration resistant and ensures reliable performance.
- Core magnet meter movement minimizes the influence of external magnetic field and steel panel mounting.
- Ranging components externally supplied and easy-to- replace scale plate perm easy range changing.
- This series offers Model KF-48, KF-66A and KF-86A.
- Scale plate : Standard KYORITSU Brand, Special OEM Brand.



Has no barrel projection.  
 Only 10.5mm thick meter movement permits this slim case construction. Recommended for use in saving space behind the panel.  
 Can be using sothew four mounting screws or two meter terminal screws only.  
 Interchangeable with our KM-series panel meters as panel mounting dimensions are the same.

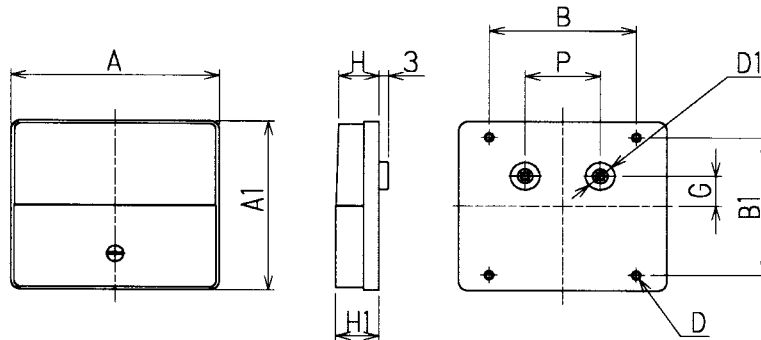
## KF Series

Photo : KF66A

### ◆ Model & Type

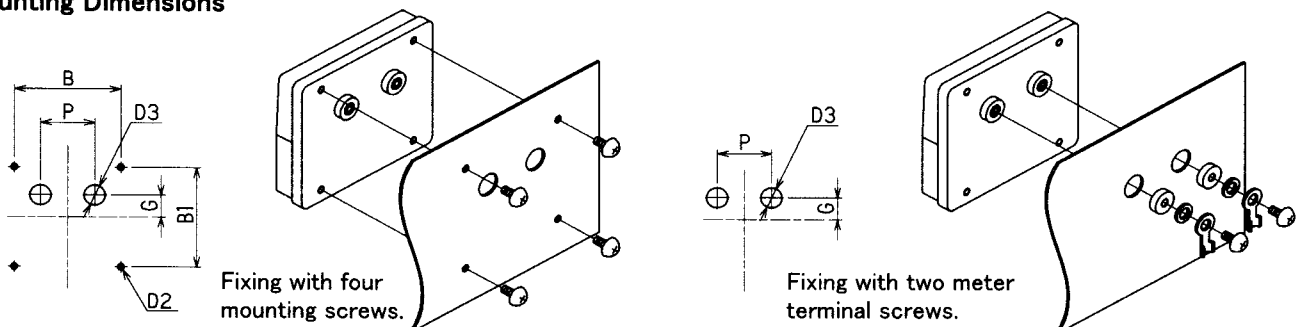
Type		Model Number	Class
DC	Ammeters•Voltmeters	KF-48, 66A, 86A	2.0
AC	Ammeters•Voltmeters	KF-48, 66A, 86A	2.0

### ◆ Dimensions (mm)



Model	A	A1	B	B1	D	D1	D2	D3	G	P	H	H1
KF-48	50	50	40	40	M2.3	9.6	2.8	10	14.5	18	14.0	14.5
KF-66A	68	59	48	48	M3	9.6	3.5	10	10.5	24.5	13.5	14.5
KF-86A	88	74	57	57	M3	9.6	3.5	10	5	38	14.5	15.3

### ◆ Mounting Dimensions



◆ General Descriptions

	KF-48	KF-66A	KF-86A
Front Cover	Transparent acrylic resin. Lower section light grey.		
Case	ABS resin. Light grey.		
Scale Plate	Black numerals & division lines on white background.		
Pointer Shape & Colour	Needle. Black.		
Scale Length	34mm	45mm	63mm
Pointer Deflection Angle	90°		
Direction of Pointer Deflection	Clockwise or counter-clockwise		
Linearity	±1.5%		
Standard Mounting Position	Vertical		
Zero Adjuster	Surface mounted.		
Operating Temperature	0°C~40°C		
Storage Temperature	-10°C~+50°C		
Damping Time	Within 3 seconds		
Overshoot	Within 30%		

◆ DC Ammeters

F.S. Value	Approx. Internal Resistance	Shunt
	KF-48, 66A, 86A	
100 μA	1,870 Ω	IS
200 μA	940 Ω	
500 μA	420 Ω	
1mA	210 Ω	
5mA	5.8 Ω	
500mA	Voltage Drop 100mV	
1A		
2A		
5A		

- ★ For ranges higher than 2A KF-48 will be supplied with external block shunt.
- ★ For ranges higher than 3A KF-66A and KF-86A will be supplied with external block shunt.

◆ DC Voltmeters

F.S. Value	Approx. Current Consumption
10V	1mA
30V	
50V	
100V	
150V	
300V	

- ★ For ranges higher than 300V meters will be supplied with external multiplier.

◆ AC Voltmeters (Rectifier Type)

F.S. Value	Approx. Current Consumption
30V	1mA
50V	
100V	
150V	
300V	

- ★ For ranges higher than 150V KF-48 meters will be supplied with external multiplier.
- ★ For ranges higher than 300V KF-66A and KF-86A meters will be supplied with external multiplier.
- ★ Calibrated on sinusoidal waveform.